

GB1000 POWER STATION

Parts Manual

Model: G0080250

 **WARNING**

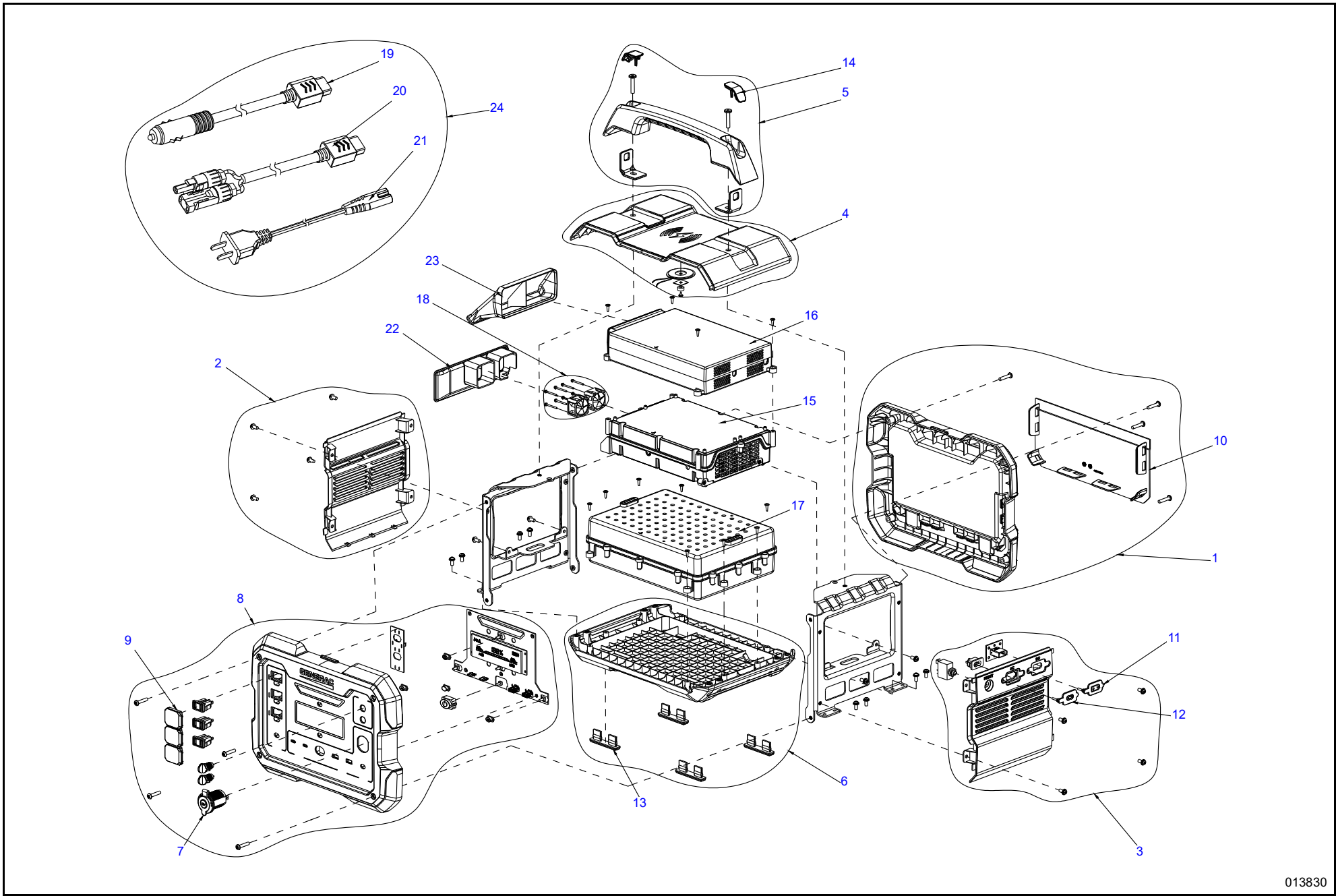
CANCER AND REPRODUCTIVE HARM

www.P65Warnings.ca.gov

(000393a)

The information in this manual is known to be accurate as of the date of release shown on the cover. However, engineering changes can occur without notice. To obtain the proper parts, be sure to use the serial number of the unit being serviced when ordering from this manual. Always refer to any part notes and changes before ordering. All other parts not shown in the manual can be found on Generac's exploded view drawings at www.generac.com or by contacting your local authorized dealer.

www.generac.com or 1-888-GENERAC



013830

ITEM	PART NO.	DESCRIPTION	QTY
1	A0002352851	POWER STATION 1KWH BACK PANEL ASSY.	1
2	A0002352852	POWER STATION 1KWH LEFT PANEL ASSY.	1
3	A0002352853	POWER STATION 1KWH RIGHT PANEL ASSY.	1
4	A0002352854	POWER STATION 1KWH TOP PANEL ASSY.	1
5	A0002352855	POWER STATION 1KWH HANDLE ASSY.	1
6	A0002352856	POWER STATION 1KWH BOTTOM PANEL ASSY.	1
7	A0002352867	POWER STATION CAR ADAPTOR	1
8	A0002349409	POWER STATION FRONT CONTROL PANEL ASSY.	1
9	A0002226804	POWER STATION RECEPTACLE COVER	3
10	A0002199750	POWER STATION STORAGE POCKET PLATE 1KWH	1
11	A0002226798	POWER STATION DC INPUT COVER	1
12	A0002226799	POWER STATION AC INPUT COVER	1
13	A0002222551	POWER STATION FOOT	4
14	A0002490388	POWER STATION CAP HANDLE	2
15	A0002504631	POWER STATION INVERTER	1
16	A0002504624	POWER STATION BATTERY CHARGER	1
17	N/A	POWER STATION BATTERY PACK	1
18	A0002510951	POWER STATION INVERTER FAN	2
19	A0002510961	DC CHARGER CORD (CAR)	1
20	A0002510962	DC CHARGER CORD (SOLAR)	1
21	A0002510960	AC CHARGER CORD	1
22	A0002711472	INVERTER AIR HOOD	1
23	A0002711468	CHARGER AIR HOOD	1
24	A0002741710	CHARGING CORDS	1

N/A = Not Available

GENERAC®

Generac Power Systems, Inc.
S45 W29290 Hwy. 59
Waukesha, WI 53189
1-888-GENERAC (1-888-436-3722)
www.generac.com

Part No. A0002454690 Rev. A 05/19/2022
©2022 Generac Power Systems, Inc.
All rights reserved.
Specifications are subject to change without notice.
No reproduction allowed in any form without prior written
consent from Generac Power Systems, Inc.